

Pulsation Dampener



To Purchase:

- 800-990-7867
- sales@yamadapump.com
- Find My Rep

More Information:

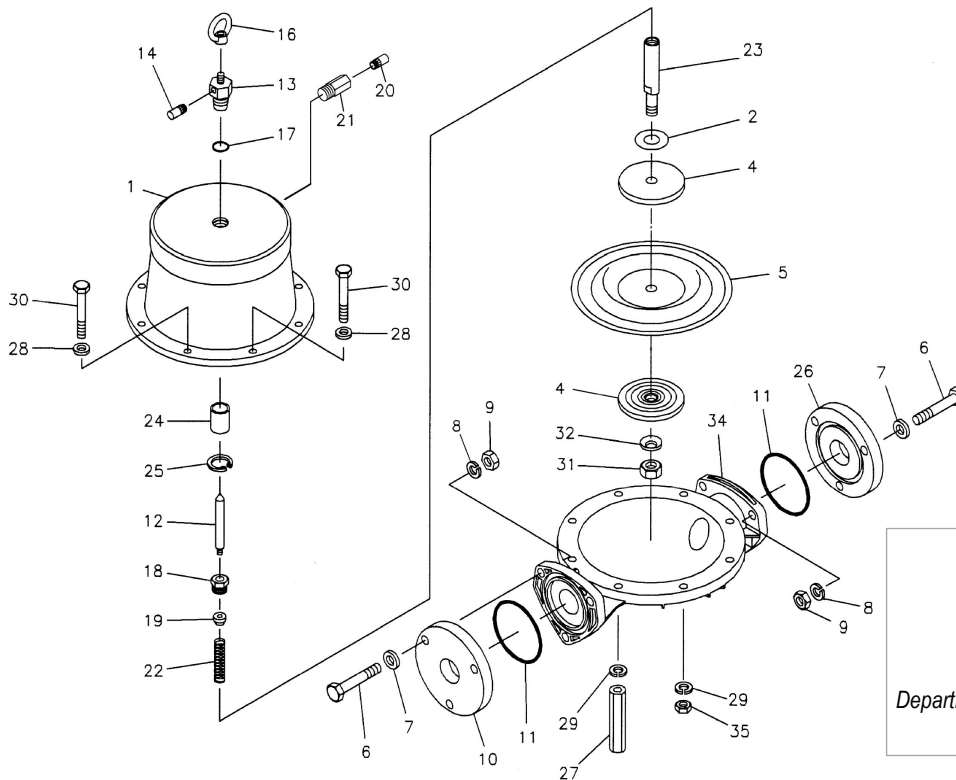
- YouTube: @yamadapump
- yamadapump.com
- Data Sheets | CAD Drawings | Manuals Literature | BOM | Performance Curves

Trial Program



| REF. NO. | PART NO. | DESCRIPTION | QTY. | REORDER |
|----------|----------|--------------|------|---------|
| 1 | 713306 | AIR CHAMBER | 1 | |
| 2 | 771316 | CUSHION | 1 | |
| 4 | 711902 | CENTER DISK | 2 | |
| 5 | 771799 | DIAPHRAGM | 1 | |
| 6 | 611204 | BOLT | 6 | |
| 7 | 631015 | PLAIN WASHER | 6 | |
| 8 | 631918 | WAVE WASHER | 6 | |
| 9 | 627014 | NUT | 6 | |
| 10 | 714092 | FLANGE OUT | 1 | |
| 11 | 642065 | O RING | 2 | |
| 12 | 795080 | VALVE | 1 | |
| 13 | 716407 | VALVE SEAT | 1 | |
| 14 | 802569 | MUFFLER | 1 | |
| 16 | 630241 | EYE NUT | 1 | |
| 17 | 640017 | O RING | 1 | |
| 18 | 710717 | NUT | 1 | |

| REF. NO. | PART NO. | DESCRIPTION | QTY. | REORDER |
|----------|----------|-------------------|------|---------|
| 19 | 710719 | NUT | 1 | |
| 20 | 681170 | MUFFLER | 1 | |
| 21 | 714085 | UNION | 1 | |
| 22 | 710727 | SPRING | 1 | |
| 23 | 713442 | CENTER ROD | 1 | |
| 24 | 773092 | THROAT BEARING | 1 | |
| 25 | 630807 | RETAINING RING | 1 | |
| 26 | 714091 | FLANGE IN | 1 | |
| 27 | 713309 | STUD | 4 | |
| 28 | 631014 | PLAIN WASHER | 8 | |
| 29 | 631917 | WAVE WASHER | 8 | |
| 30 | 686163 | BOLT | 8 | |
| 31 | 706128 | NUT | 1 | |
| 32 | 682740 | CONED DISC SPRING | 1 | |
| 34 | 580960 | OUT CHAMBER | 1 | |
| 35 | 627013 | NUT | 4 | |



Customer Notes

Model #: _____

Description: _____

Serial #: _____

Date Installed: _____

Department Location: _____

Tag/Project: _____