

Pulsation Dampener



To Purchase:

- 800-990-7867
- sales@yamadapump.com
- Find My Rep

More Information:

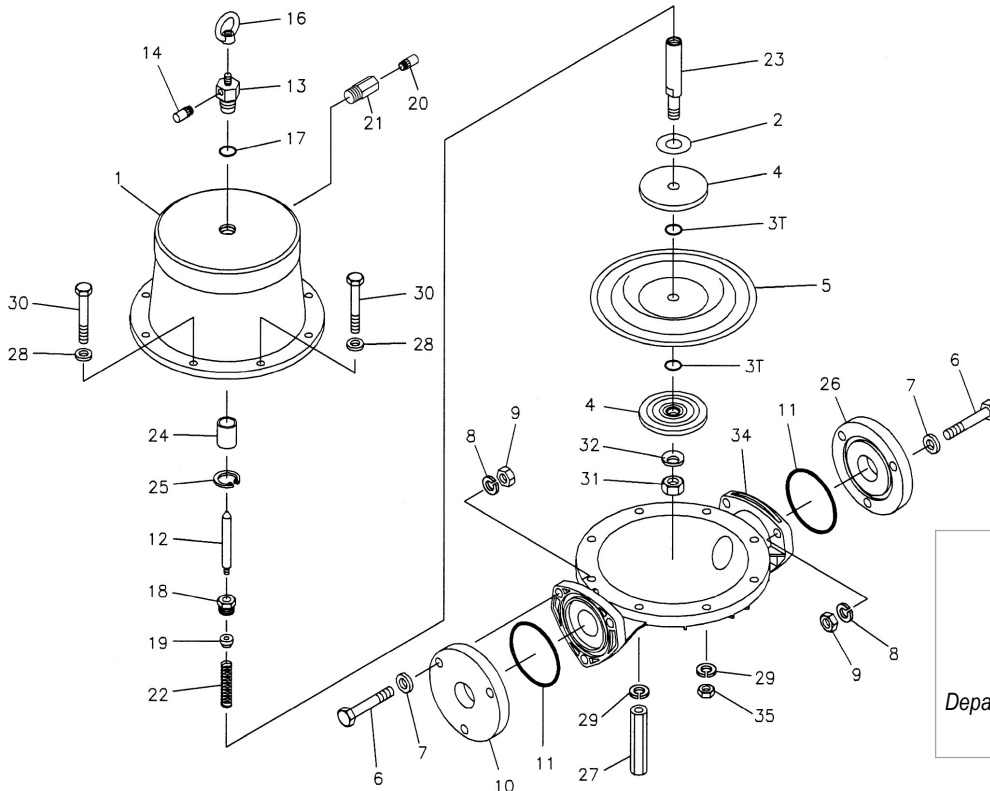
- YouTube: @yamadapump
- yamadapump.com
- Data Sheets | CAD Drawings | Manuals Literature | BOM | Performance Curves

Trial Program



REF. NO.	PART NO.	DESCRIPTION	QTY.	REORDER
1	713310	AIR CHAMBER	1	
2	771316	CUSHION	1	
3T	643015	O RING	2	
4	707822	CENTER DISK	2	
5	770815	DIAPHRAGM	1	
6	611204	BOLT	6	
7	631015	PLAIN WASHER	6	
8	631918	WAVE WASHER	6	
9	627014	NUT	6	
10	714098	FLANGE OUT	1	
11	643069	O RING	2	
12	795081	VALVE	1	
13	716408	VALVE SEAT	1	
14	802569	MUFFLER	1	
16	630241	EYE NUT	1	
17	640017	O RING	1	
18	710717	NUT	1	

REF. NO.	PART NO.	DESCRIPTION	QTY.	REORDER
19	710719	NUT	1	
20	681170	MUFFLER	1	
21	714085	UNION	1	
22	710762	SPRING	1	
23	713242	CENTER ROD	1	
24	773092	THROAT BEARING	1	
25	630807	RETAINING RING	1	
26	714097	FLANGE IN	1	
27	713313	STUD	4	
28	631014	PLAIN WASHER	8	
29	631917	WAVE WASHER	8	
30	686163	BOLT	8	
31	706128	NUT	1	
32	682740	CONED DISC SPRING	1	
34	580961	OUT CHAMBER	1	
35	627013	NUT	4	



Customer Notes

Model #: _____

Description: _____

Serial #: _____

Date Installed: _____

Department Location: _____

Tag/Project: _____