



GLOBAL SERIES

Air-Powered Double Diaphragm Pumps

G15

15.8 GPM Maximum Flow Rate

1/2 inch Port Size



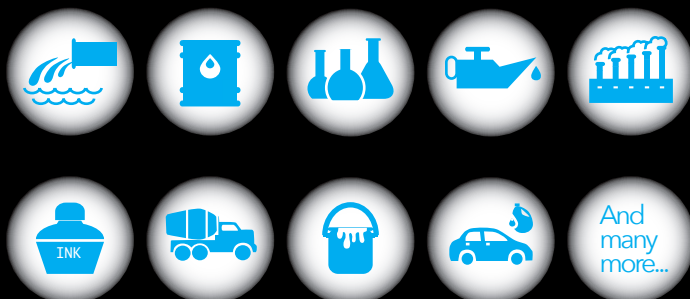
The new G15 Series Metal Pumps are designed to provide maximum performance, while maintaining the reliability that you've grown accustomed to from Yamada. These 1/2" pumps are perfect for spraying and dispensing applications, particularly when on and off cycling reliability is critical. Utilizing our new Step Spool (S-Spool), the G15 uses up to 30% less air than the competition. Maintenance is also a breeze with fewer removeable parts.

Find out today why our motto is "The Proof is in the Pump®"!

Technical Specifications

Maximum Flow Rate	15.8 GPM
Port Size	1/2" Female NPT
Air Supply Pressure	20-100 PSI
Liquid Temperature	32-212°F
Maximum Air Consumption	18 SCFM
Weight	11.9 lbs.
Maximum Size Solid	1/32" (1 mm)
NPT Dimensions	7.32" Lx 7.64" Wx 10.4" H
Air Inlet	1/4 " Female NPT
Body Material	Aluminum (ADC-12)
Discharge Volume Per Cycle	0.042-0.045 Gallons
Dry Suction Lift.....	Rubber 15' / PTFE 12'

Applications:



G15

15.8 GPM Maximum Flow Rate

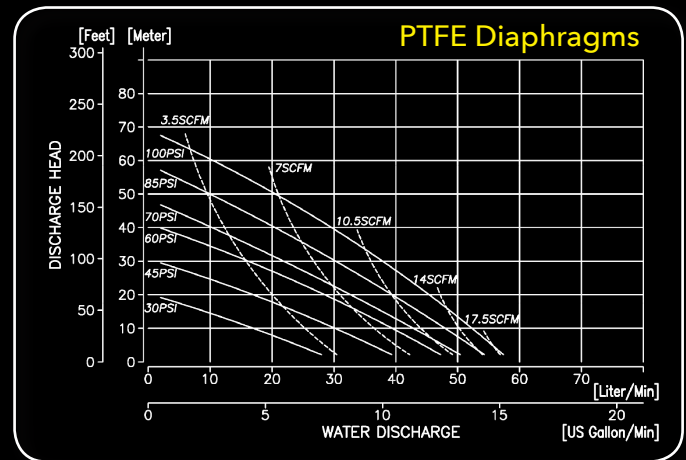
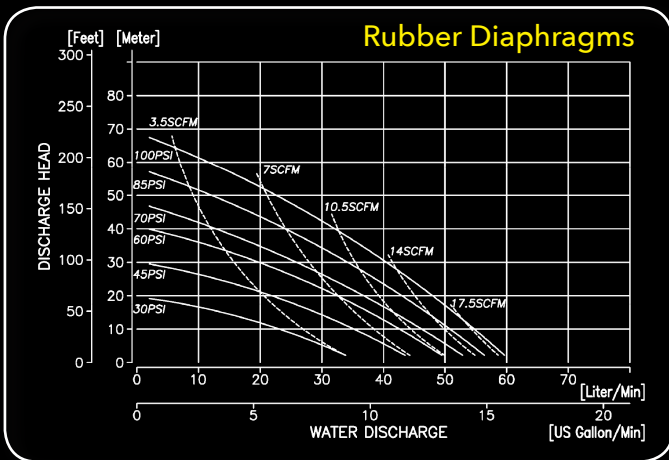
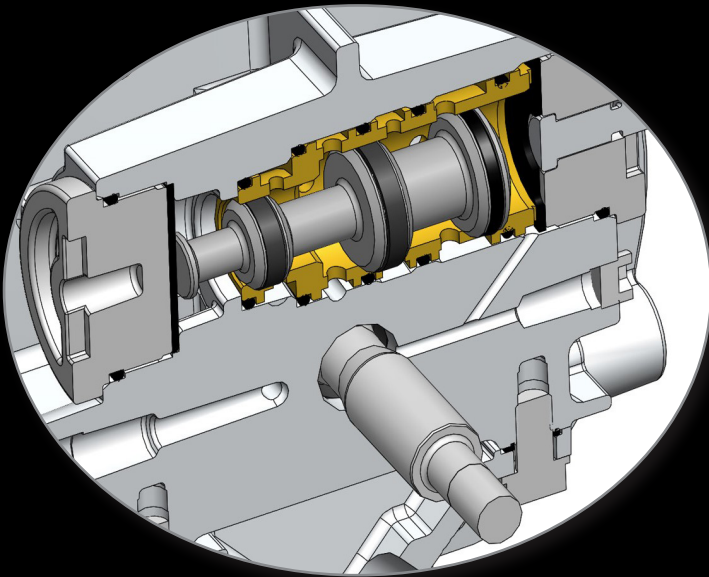
1/2 inch Port Size

Features & Benefits

- No lubrication required
- Stall Free / S-Spool Design
- Fewer Wearing Parts
- Ease of Repair - Quick teardown / Rebuild
- 30% less air consumption over competitor's pumps
- Perfect for dispensing and spraying applications
- Critical reliability for On/Off cycling

Elastomeric Options

- PTFE
- Buna N
- Santoprene®



Toll Free (800) 990-7867

Local Distributor:

Yamada® is a registered trademark of Yamada America, Inc.
The Proof's in the Pump® is a registered trademark of Yamada America, Inc.
The Proof is in the Pump® is a registered trademark of Yamada America, Inc.
SolidPro® Designed to Pump Fluids Containing Solids is a registered trademark of Yamada America, Inc.
Xtreme Duty Pro XDP® is a registered trademark of Yamada America, Inc.
InkPRO® is a registered trademark of Yamada America, Inc.
Santoprene® is a registered trademark of Monsanto Co.
Step Spool (S-Spool) C.L. 3/2/2017

Form# GP0618